

GYROPILOT 3 AUTOPILOT

User Manual

V1.2



This manual describes the installation and initialization of the GyroPilot 3 driver and explains its operation and settings.

Contents

1. Introduction.....	4
1.1. Operating principle of the GyroPilot 3 Processor	4
1.2. Functionalities	4
2. Installation.....	5
2.1. Equipment supplied.....	5
2.2. Processor orientation.....	5
2.2.1. Automatic detection of the case orientation.....	5
3. Configuration.....	7
3.1. Connection	7
3.2. Equipment configuration.....	8
3.2.1. The type of rudder angle.....	8
3.2.2. The type of hydraulic ram	10
3.2.3. The type of circuit supply clutch (PWM/DC).....	10
3.3. Rudder initialization	10
3.3.1. Results of the rudder initialisation	11
3.4. Pilot speed reference	11
4. Operation	12
4.1. The main modes	12
4.1.1. Rudder mode.....	12
4.1.2. Compass mode	12
4.1.3. Apparent Wind mode.....	14
4.1.4. True Wind Mode.....	14
4.1.5. GPS mode	15
4.1.6. Polar mode	15
4.2. The Super modes.....	15
4.2.1. Heel angle mode.....	16
4.2.2. Gust mode	16
4.3. The Tiller	16
4.4. Autopilot settings	16
4.4.1. Autopilot gain	17
4.4.2. Rudder coefficient.....	17
4.4.3. The counter rudder	17
4.4.4. Wind smoothing	17

4.4.5.	Tacking angle	17
4.4.6.	Tacking velocity	17
4.4.7.	Man Overboard (MOB).....	18
4.4.8.	Speed reference	18
4.4.9.	Time before cut-off	18
4.4.10.	Rudder offset.....	18
4.4.11.	Dead angle.....	18
4.4.12.	Setting of the autopilot alarms.....	18
4.5.	Tacking.....	19
4.6.	MOB.....	19
4.7.	Downgraded modes	19
4.8.	Alarm delay.....	19
5.	Evolution of the processor	22
5.1.	GyroPilot2 / GyroPilot3 improvement	22
6.	Specifications.....	23
6.1.	Technical specifications.....	23
6.2.	Default values.....	23
7.	Liability	25

1. INTRODUCTION

1.1. OPERATING PRINCIPLE OF THE GYROPILOT 3 PROCESSOR

The **GyroPilot 3 processor** is an aid to navigation and is designed to automatically maintain a course, ensure the boat's stability, assist the skipper during manoeuvres and can put the boat in a safe position if a man overboard is detected.

Each of these actions can be customised to adapt the operation of the GyroPilot 3 processor to suit the user's expectations and needs.



When you switch it on, it is necessary to power up the autopilot **BEFORE** starting the system, otherwise the autopilot will not be recognised on the installation.

1.2. FUNCTIONALITIES

The **GyroPilot 3 processor** offers several steering modes to automatically maintain a course:

- The steering mode
- The compass mode
- The Apparent Wind mode
- The True Wind mode
- The GPS mode
- The Polar mode

The processor also integrates control overlays called "SUPER" modes:

- gust mode
- heel mode

By using the GyroPilot 3 "Pilot Settings" menu, it is possible to customise various parameters that affect:

- The reaction time and precision of the steering
- The execution of manoeuvres such as instruction changes, tacking, gybe, etc.
- Management of downgraded modes in the event of a malfunction

The **GyroPilot 3 processor** can be installed in different environments without requiring any hardware modification: different types of hydraulic ram, rudder angle and clutch.

2. INSTALLATION

2.1. EQUIPMENT SUPPLIED

The **GyroPilot 3 processor** is supplied in its packaging with a **GyroPilot 3 bus** cable 90-60-550, a **GyroPilot 3 Power Input** cable 90-60-553 and a **Gyro3 Actuator 1X** cable 90-60-554

2.2. PROCESSOR ORIENTATION

The pilot constantly checks the orientation of the case. The objective is to ensure that it is always oriented with the connectors facing down, that it has not become unhooked from its location, or is not incorrectly positioned, so as to enable steering.

If this is not the case, the autopilot will trigger the autopilot alarm.

The pilot also checks the coherence of the roll and pitch it receives from an external attitude sensor if there is one. The pilot is able to check the correct attitude coherence and to detect whether an attitude sensor is upside down. In effect, on some boats, compasses are simply fixed with a glued or a scratch plate bracket. The pilot will quickly detect whether it can be used for steering. In the event of a sensor inclination that is more than 25° in relation to the vertical position of the processor, the autopilot triggers an alarm indicating:

- A problem with the mounting of the case if the autopilot has the steepest inclination.
- A problem regarding the mounting of the external attitude sensor if the steepest inclination is that of the external attitude sensor.

2.2.1. Automatic detection of the case orientation

To use the full functionality of the autopilot, it is important to align the marking on the case with the marking on the boat.

Four positions are permitted:

- The front of the case facing the starboard side of the boat
- The front of the case facing the port side of the boat
- The front of the case facing the bow of the boat
- The front of the case facing the stern of the boat

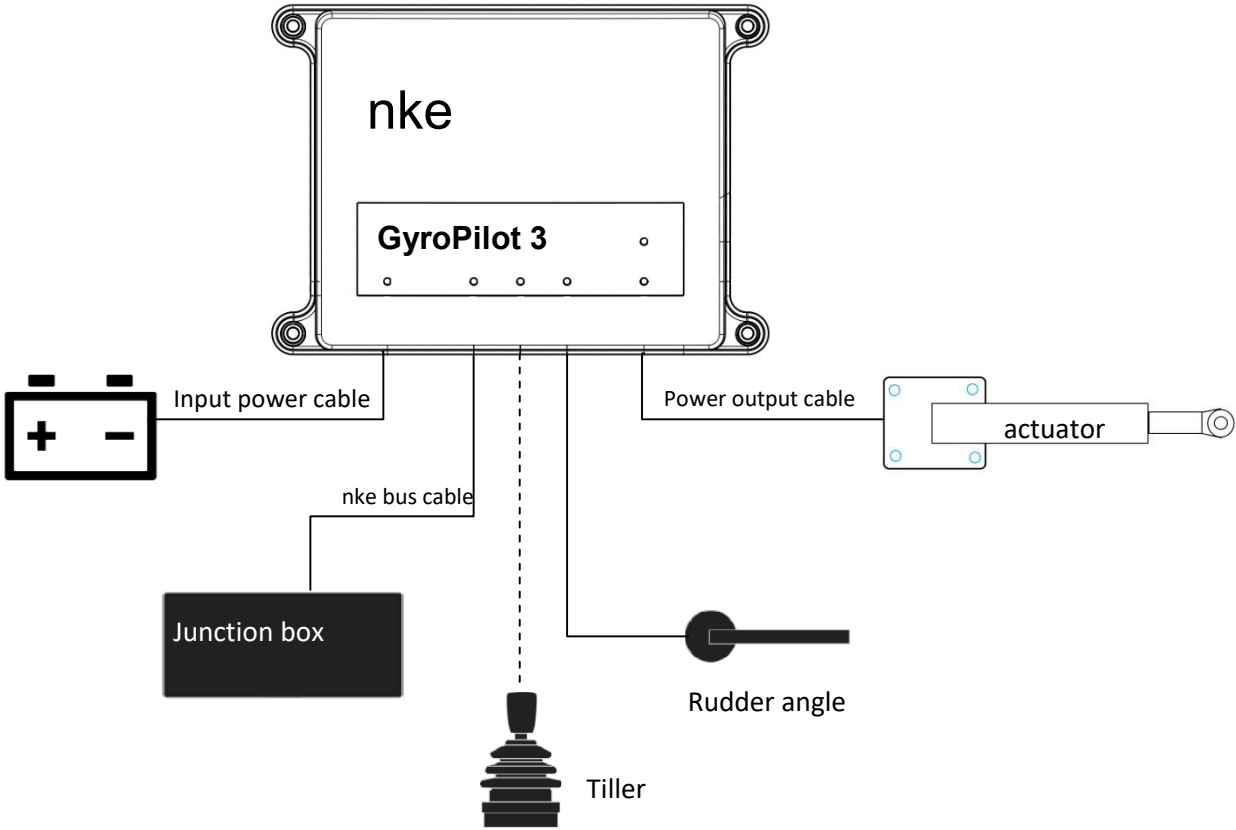
During the first commissioning of the autopilot, the processor considers that it has no set orientation. It will take a few minutes to estimate the orientation of the case if the boat heels more than 6°. Once the orientation of the case is determined, the autopilot will be able to use

the attitudes to fine-tune the steering set-up and ensure that the loss of sensor information is minimised in the event of a problem.

During the next few navigation periods, the autopilot will confirm the orientation of the case at each start-up. As long as confirmation is not obtained, it relies on the old orientation found, to be able to use the full functionality of the autopilot within the first seconds.

3. CONFIGURATION

3.1. CONNECTION



Input power cable (ref : 90-60-553)		
Red cable	12V/24V	
Black cable	ground	
Nke bus cable (to junction box)		
White	12V	
Ground	Ground	
Black	Data bus	
Output power cable (ref 90-60-554)		
	RVP connection	CRP connection
Red cable	Motor +	Motor 1 +
Black cable	Motor -	Motor 1 -
Red wire insulated cable	clutch	Motor 2 +
black wire insulated cable	clutch	Motor 2 -

3.2. **EQUIPMENT CONFIGURATION**

Once the GyroPilot 3 is properly installed and connected to the system, several settings are required prior to use:

- Setting the type of hydraulic ram
- Setting the type of clutch
- Setting the type of rudder angle
- Carrying out a steering initialisation

The GyroPilot 3 can control different types of servo systems: either CFP (Continuous Flow Pump) or RP (Reversible Pump). It only requires user action on a **nke** display and does not need any intervention on the installation.

In the "Pilot" menu of the display, select "maintenance" and then one of the following 3 menus:

- The type of hydraulic ram
- The type of circuit supply clutch
- The type of rudder angle

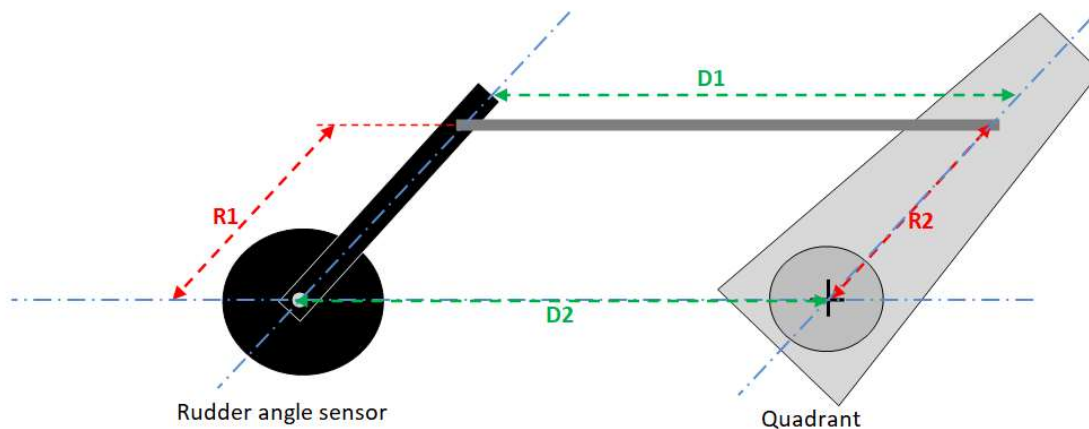
Caution: any change to the configuration resets the rudder system. The pilot will no longer operate without a new rudder system initialisation. Starting the autopilot without prior initialisation will activate a message requesting an initialisation.

3.2.1. **The type of rudder angle**

There are two types of rudder angle sensors that can be connected to the GyroPilot 3: The **nke** rotary sensor or an analog linear sensor.

nke rotary rudder angle:

The sensor should be mounted in parallel with the rudder stock or false rudder stock. For the sensor to measure the rudder angle correctly, one degree of rudder rotation = one degree of sensor rotation. This requires that $R1 = R2 = 10\text{ cm}$ and that $D1 = D2$ (see diagram below). This is called a perfect parallelogram.

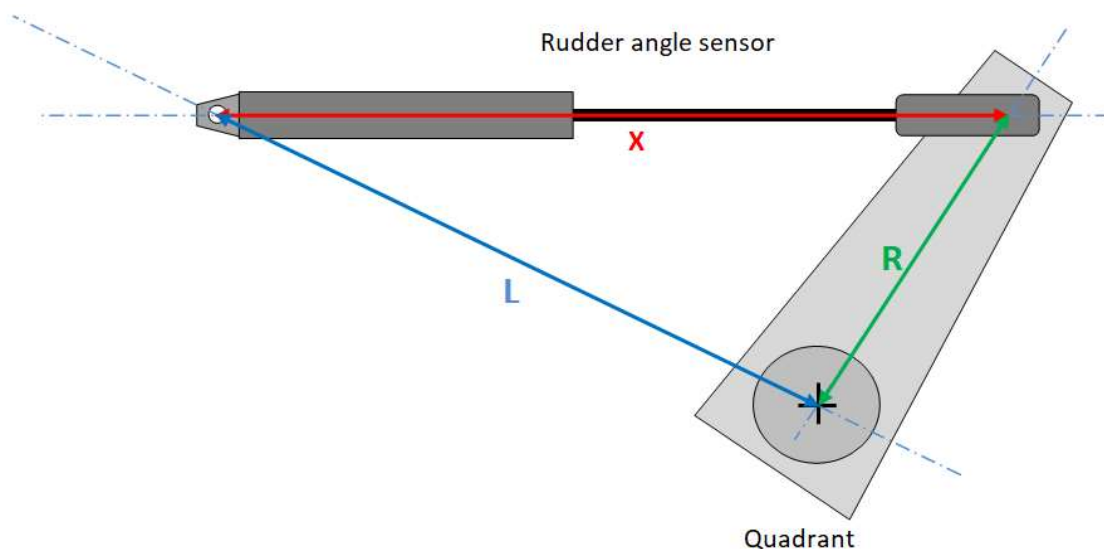


Picture1: installation of a nke rotary rudder angle sensor

Once the **nke** rotary rudder angle sensor is correctly installed, the measurement of one degree of rudder rotation will be automatically converted by the GyroPilot 3 calculator into one degree of rudder in the autopilot.

Analog linear rudder angle:

The GyroPilot 3 system also integrates linear rudder angles. To take such a sensor into account, it is necessary to measure the triangle of the steering system (see picture below). 5 measures are required:



- **Center R - rudder to amidship:** distance in mm between the rudder stock axle and the sensor mounting on the tiller arm
- **Center L - rudder to amidship:** distance in mm between the rudder stock and the sensor fastening to the boat
- **Center X - rudder to amidship:** size of the linear sensor (mm) corresponding to a centred rudder
- **Starboard X - rudder to starboard:** size of the linear sensor (mm) corresponding to the starboard stop position of the rudder
- **Port X - rudder to port:** size of the linear sensor (mm) corresponding to the port stop position of the rudder

Once these measurements have been completed, they must be entered in the "Measures" menu. To do this, the "rudder sensor" option must be changed to linear rudder. If this has not been done, then the "Measures" menu will be available just below.

Note: These measurements should be done before the rudder initialisation is completed. The same positions should be used during the rudder initialisation (rudder amidships, rudder to the starboard stop position and rudder to the port stop position). This is why it is necessary to take the most accurate benchmarks as possible.

3.2.2. **The type of hydraulic ram**

The GyroPilot 3 processor allows you to choose in the "Pilot-Maintenance" menu, the type of hydraulic ram used.

3.2.3. **The type of circuit supply clutch (PWM/DC)**

The type of clutch used can be selected by the user in the "Pilot-Maintenance" menu.

3.3. **RUDDER INITIALIZATION**

The rudder initialisation is a procedure to take into account the settings needed to detect the direction of movement of the hydraulic ram and the rudder angle sensor. A wizard on the **nke** displays allows this procedure to be carried out. It is divided into 4 steps:

- **Step - rudder to amidship:** used to determine the 0° of the rudder angle.
- **Step - rudder to starboard end position:** sets the maximum rudder limit for heading to starboard. It also detects the direction of movement of the rudder angle sensor.
- **Step - rudder to starboard end position:** enables setting of the maximum rudder limit for heading to port.
- **Step - activation of the hydraulic ram:** the hydraulic ram activates automatically. It moves the rudder in one direction and then comes back to the amidship position. This allows the autopilot to determine the polarity in order to go to one side or the other.

3.3.1. **Results of the rudder initialisation**

Once initialisation has been completed, the autopilot sends the status of the rudder initialisation to the displays

If the initialisation has been successfully completed,

- The measured rudder-stop information and rotation speed are displayed
- The LED of the rudder angle sensor lights up in green
- The autopilot changes the rudder angle status to "valid" and the autopilot becomes operational.

If the procedure is invalid

- The display will show: "Invalid rudder initialisation".
- The LED of the rudder angle sensor will remain orange
- The autopilot sets the rudder angle status to "invalid" and the autopilot remains disabled.

In the case of an invalid procedure, the whole procedure must be carried out again. Rudder initialisation can be considered invalid in the following cases:

- The rudder angle sensor sends incorrect or missing information. The rudder angle sensor is immediately discarded and the rudder initialisation fails.
- The starboard and port rudder stops are within 4 degrees of each other. The amplitude of the rudder crosshead is too small for optimal use.
- The zero of the rudder is outside the range [starboard rudder stop, port rudder stop] (rudder stops have the same sign). In this case the initialisation procedure fails.
- The hydraulic ram cannot move the rudder faster than 0.2°/s. In this case, it considers that the hydraulic ram is not responsive enough and that the autopilot cannot be used efficiently.
- The combination of PWM and CRP is forbidden. In the Multidisplay, within the Menu -> Autopilot -> Maintenance, check the configuration of the ram and the clutch.
- During the initialisation of the rudder angle sensor, if the angle is beyond the already defined rudder angle stop position then the initialization procedure will be stopped.

3.4. **PILOT SPEED REFERENCE**

The speed used by the autopilot can result from different possible sources: GPS, **nke** SPEEDO. These elements provide the true speed and/or the ground speed of the boat. Based on all this information, it calculates the autopilot speed which is the boat speed data that the autopilot will consider. For the GyroPilot 3, the speed used by the autopilot is only a selection of the speed source (ground or surface) chosen by the skipper via a **nke** display.

4. OPERATION

4.1. THE MAIN MODES

The steering modes available for the **GyroPilot 3 processor** can be selected from the "Pilot" menu and then "Mode select" or from a pilot page by pressing the OK button and then "Mode select".

The **GyroPilot 3 processor** has a total of 6 steering modes, but a display will only show the modes that can be used with the sensors available on the installation. If, for example, there is no wind speed/wind vane sensor, the wind modes will not be available. Only the rudder angle sensor is needed in all steering modes

- The **rudder mode**: requires a rudder angle sensor connected to the processor and configured.
- The **compass mode** requires heading data
- The **Apparent Wind mode** requires a wind speed/wind vane sensor.
- The **True Wind mode** requires a wind speed/wind vane sensor and boat speed data.
- GPS mode requires a compass sensor, as well as a GPS, or any other instrument that sends NMEA GPS sentences. The latter must be connected to an NMEA input on the **nke** installation.
- The **polar mode** requires an external processor that provides the optimal wind angle (VMG) calculated from a speed polar.

4.1.1. Rudder mode

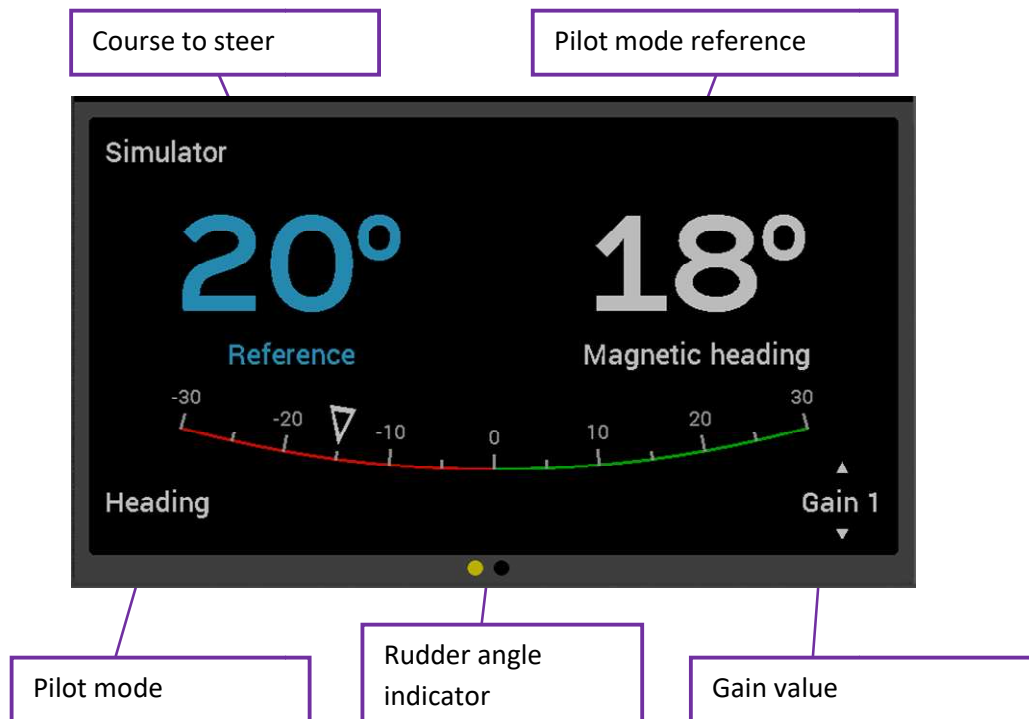
The rudder mode is the most basic mode of the autopilot. The set value is a rudder angle. The rudder mode allows you to set a rudder angle and lock the rudder at the selected value. The pilot gives the selected rudder angle as a set value, within the limits of the stops detected during the rudder initialisation procedure. This mode is a distinct mode because it acts directly on the steering circuit.

Note: This mode is very useful when looking for a malfunction. If the mode is operating, the possibility that the hydraulic ram or the rudder angle is the cause of the problem is excluded.

4.1.2. Compass mode

In compass mode, the **GyroPilot 3 processor** steers the boat by following the **magnetic heading** given by the **compass**.

The **compass mode** screen below is displayed on a multi-display:



- The set value indicates the reference heading to be reached, selected by the user. This screen displays "----" or **"OFF"** when the autopilot is disengaged.
- The steering mode reference indicates the current course of the boat; it is the **magnetic heading** channel,
- The pilot gain window is common to the six modes.
- The rudder angle indicator is common to the six modes.

To use the **Compass mode** at sea:

- Select "Compass" in the steering mode.
- Steer your boat and press the **Auto** button to activate the **GyroPilot 3**.
- The pilot then takes the heading as a reference. The GyroPilot 3 is then activated and steers the boat.
- You can use the +/-1 and +/-10 keys on a PAD, a remote control or a display to adjust the set-point.
- To switch off the GyroPilot 3, take over the steering and press the stop button.

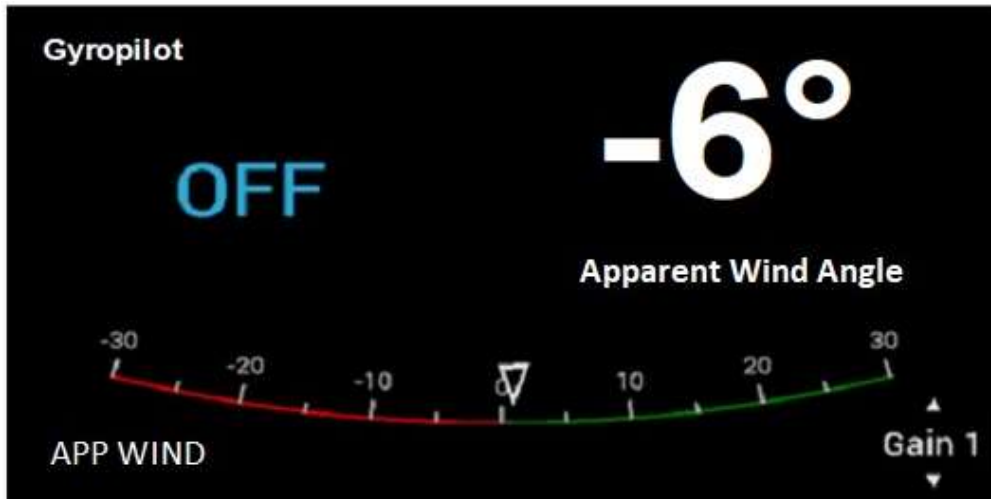
WARNING:

The **Auto** button is used to activate the autopilot, i.e. to turn it on.

The **Stop** button is used to deactivate the autopilot, i.e. to turn it off.

4.1.3. **Apparent Wind mode**

In apparent wind mode, the GyroPilot 3 steers the boat by following the **apparent wind** angle, given by the wind speed and wind direction sensor. It is mainly used upwind. The page displayed is identical to that of the compass, except that the steering mode label is replaced by the apparent wind angle.



4.1.4. **True Wind Mode**

In true **wind mode**, the **GyroPilot 3** steers the boat according to the **true wind** angle given by the system.

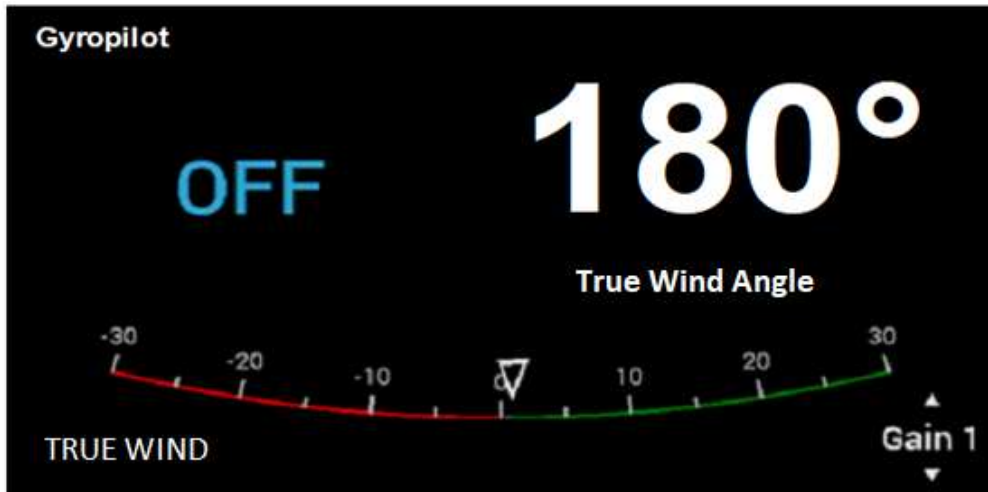
Why use the True Wind mode?

The **true wind** mode is particularly effective when sailing downwind in heavy swell: In these conditions, the **GyroPilot 3** shows its potential. If you use the **apparent wind** mode downwind and in swell, you will observe this:

- As the boat descends the wave, the apparent wind speed increases, the apparent wind angle decreases and therefore, the wind heads. Action of the autopilot: it makes the boat bear away.
- As the boat climbs the wave, the apparent wind speed decreases, the apparent wind angle increases and therefore the wind lifts. Action of the autopilot: it makes the boat luff up.

In swell, the **apparent wind** mode does not allow for perfect heading control and you have to switch to compass mode to descend the wave with a straight trajectory.

The true wind mode allows you to go straight down the wave and keep the optimum descending angle. The true wind angle does not vary with boat speed.



4.1.5. **GPS mode**

In **GPS** mode, the **GyroPilot 3** steers the boat by following the route given by the GPS. To do this, a GPS or other instrument that delivers NMEA GPS sentences must be connected to an NMEA input on your installation.

- A graph shows the cross track error, the XTE.
- **CTW** (Course to Waypoint), **COG** (Course Over Ground in °), **DTW** (Distance to Waypoint in Km or M), **SOG** (Speed Over Ground in Km/h or knt) and **XTE** (in Km or NM) information is displayed.

The GyroPilot 3 processor follows the route to the Waypoint. On arrival at WAYPOINT < 0.1NM, the NKE displays beep and the autopilot switches to compass mode. If the user enters a new waypoint, the GyroPilot 3 automatically switches back to GPS mode.

4.1.6. **Polar mode**

The polar mode enables the boat to follow an optimal wind angle. This angle is the best upwind angle when heading into the wind: VMG up, or the best angle when heading down the wing in downwind conditions: VMG down. Apart from the set-point change in relation to the wind speed, this mode functions like a true wind mode.

4.2. **THE SUPER MODES**

The SUPER modes are used in addition to the main modes. They allow the autopilot's set point to be adjusted slightly in response to a temporary phenomenon: heel variation, gust

In the GyroPilot 3, only one SUPER mode can be activated at one time. There are 3 states in a SUPER mode:

- **Status: OFF.** The skipper has not selected SUPER mode.
- **Status: Standby.** SUPER mode is ready to be used, but it is not active yet:
 - a piece of data is missing,
 - the autopilot is not activated,

- the SUPER mode has deactivated itself due to a manoeuvre or change in the main mode.
- **Status: ON.** The SUPER mode is activated

4.2.1. *Heel angle mode*

This mode allows you to maintain a constant heel angle. It can be activated when following a set-point in compass, apparent wind, true wind or polar mode. This mode can be set on the displays:

- **Leeward limits:** maximum leeward set point deviation in degrees that the skipper allows to follow the heeling angle instruction
- **Windward limits:** maximum windward set point deviation in degrees that the skipper allows to follow the heeling angle instruction
- **Gain:** value given to the heel angle instruction follow-up. The higher the gain, the less the autopilot is tolerant to heel angle variations. Caution: a very precise follow-up of the heel variation can have consequences on the regularity of the boat's trajectory. It is, therefore, a matter of finding the best gain compromise.

4.2.2. *Gust mode*

The gust mode allows you to react at the helm during a gust. It can be activated when following a set-point in compass, apparent wind, true wind or polar mode. This mode can be set on the displays:

- **Limit:** the maximum set point variation in degrees that the skipper allows to counter a gust.
- **Gain:** value given to counter a gust. The higher the gain, the less tolerance the autopilot has to variations of wind speed and the faster he responds to a gust. Caution: a very precise follow-up can have consequences on the regularity of the boat's trajectory. It is, therefore, a matter of finding the best gain compromise.
- **Filter:** period of time over which the gusts are detected. The larger the time window, the more the gust mode will react to long gust periods.

4.3. *THE TILLER*

The tiller is a pilot operating mode using a joystick. To use it, the autopilot must be activated. If the joystick is activated, the autopilot automatically switches to TILLER mode. If the joystick is deactivated, the autopilot automatically switches back to the previous mode.

4.4. *AUTOPILOT SETTINGS*

4.4.1. **Autopilot gain**

The pilot gain allows the boat to be more responsive. Gain increase is often used in the following circumstances:

- In rough sea conditions, the increase of the gain allows to counter more efficiently the strong waves which cause lurches.
- When sailing downwind, with powerful sails such as a spinnaker, the increase in gain helps to avoid excessive set-up variations which can cause into the wind or down the wind runs.

The setting range is between 1 and 9.

4.4.2. **Rudder coefficient**

The rudder coefficient controls the amplitude and acceleration of the rudder movements according to the speed of the boat. Its value is increased in proportion to the speed of the boat.

The setting range is between 1 and 53.

4.4.3. **The counter rudder**

The counter rudder prevents trajectory fluctuations from occurring around the set point. The boat's motion expectation is preset. Anticipation is necessary in the following cases:

- Boats with high inertia. Naturally, the counter-rudder value will be high
- The delay of pilot data is sometimes intentional for filtering reasons
- Trajectory fluctuations around the set point

The setting range is between 1 and 9.

4.4.4. **Wind smoothing**

Wind smoothing is used in apparent wind, true wind or polar mode. This setting is used to stabilise the steering when the wind measurement fluctuates. The setting range is between 1 and 9.

4.4.5. **Tacking angle**

This is the auto-tacking angle in compass mode, adjustable from 70 to 115° with increments of 5°.

4.4.6. **Tacking velocity**

The tacking speed is adjustable from 1° to 32°/s.

4.4.7. **Man Overboard (MOB)**

In the autopilot settings, it is possible to select the "Man Over Board" menu among two sub-menus: MOB crew and MOB single-handed (see. §[MOB](#))

4.4.8. **Speed reference**

The speed source is used to select the type of speed that the autopilot will choose to adjust the servo and to calculate the true wind.

4.4.9. **Time before cut-off**

There are extremely downgraded configurations in which the autopilot is no longer able to steer. In this case, the autopilot triggers a pilot alarm and releases the steering after a period of time: This is "the time before cut-off" if the situation has not changed favourably. The setting range varies from 20 seconds to 300 seconds.

4.4.10. **Rudder offset**

There is a rudder offset that can be used in some special circumstances. In the event of a rudder angle sensor failure, while sailing in difficult conditions, it is often impossible to perform a rudder initialisation procedure. The rudder offset can, therefore, be used temporarily to allow steering with a second rudder angle already set. The setting range is between -3° to 3° .

4.4.11. **Dead angle**

The dead angle takes into account the mechanical looseness that exists in the steering systems of boats. The setting range is between 0 and 3° .

4.4.12. **Setting of the autopilot alarms**

The GyroPilot 3 processor has two configurable alarms

- The wind direction alarm, called "**wind/heading**", monitors a change in wind direction in **compass mode** and a heading change in **wind mode**.
- The battery voltage alarm, known as the "power battery", monitors the charge status of the autopilot's battery. The default setting is 10Vdc.

4.5. **TACKING**

The GyroPilot 3 allows you to tack in any mode: compass, apparent wind, true wind or polar. Tacking or gybing is executed by a long press on the +/-10 key of a pilot control box.

4.6. **MOB**

The radio transmitter must first be activated in scan mode (see transmitter manual).

Man over board (MOB) is a safety manoeuvre. When the receiver no longer receives messages from the radio transmitter (this is called a radio loop break), the autopilot initiates a MOB procedure.

Depending on the settings of the "Man over board" parameter of the autopilot there are 2 procedures:

- Crew mode: the navigation system triggers an audible alarm but does not cause any steering changes.
- Solo mode: the navigation system triggers an audible alarm and then takes the control in order to is hove to. It uses all the data available to it to carry out the manoeuvre as accurately as possible.

4.7. **DOWNGRADED MODES**

In the event of a sensor failure, the autopilot keeps control of the helm during the "Time before cut-off" or temporarily changes the steering mode.

In true wind mode, if the wind vane is disconnected from the system, the GyroPilot 3 computer automatically switches to compass mode. If the wind vane is connected again to the system, the processor will automatically switch back to the selected wind mode.

If the bus is shut down with the autopilot switched on, the autopilot does not disengage the steering control immediately. It blocks the rudder and waits for the "time before cut-off" to elapse before handing over. This also applies if the processor bus cable is pulled out.

4.8. **ALARM DELAY**

Acknowledgement of the alarm is the action carried out by the skipper on a display or remote control to stop the alarm. When the alarm is acknowledged, a time delay is activated during which lower priority alarms and of the same type are disabled.

Each time the skipper acknowledges the same alarm, the time delay doubles. Thus, an alarm with a time delay of one hour will be disabled for one hour after the first acknowledgement, two hours after the second and four hours after the third.

5. THE AUTOPILOT LEDS

The GyroPilot 3 is equipped with 6 LEDS allowing to carry out a first rapid diagnosis on its state.

5.1. LEDS EN FONCTIONNEMENT NORMAL

Nom de la LED	Couleur	Signification
STATUS	Green	Autopilot power ON
	OFF	Autopilot OFF
POWER INPUT	Green	Power input is valid
	Red	The voltage is too low
	OFF	The voltage is not valid, check that the power connector is well connected and that the Autopilot power switch is on
TOPLINE BUS	Green	Bus voltage and TOPLINE data reception are valid
	Orange	The Autopilot has detected in the last minute a collision bus, a loss of echo or has a full fifo bus. The bus is unstable.
	Red	The voltage is invalid or data from the Topline bus is not received. Check Topline connector
TILLER INPUT	Green	The tiller is detected and activated
	OFF	Tiller is not activated
RUDDER FEEDBACK	Green	The rudder angle sensor is detected and the rudder angle value is within the rudder operating range
	Orange	The rudder initialization is not carried out or incorrect. Rudder initialization must be performed to use the autopilot. If the LED remains orange after this procedure, check the rudder angle sensor and its connection and start the rudder initialization again
	Red	Rudder angle is outside the range or sensor is disconnected
POWER OUTPUT	OFF	Rudder is free and there are no engine errors detected
	Green	The pilot is activated and working
	Red	Engine error detected during navigation. However, the driver can continue to operate

5.2. LEDS IN PARTICULAR PROCEDURE

- The LEDs flash red at the same time: the driver is being updated.
- The LEDs are all fixed orange: the driver in "boot" mode, it did not start correctly. Run a driver update.

6. EVOLUTION OF THE AUTOPILOT

6.1. **GYROPILOT2 / GYROPILOT3 IMPROVEMENT**

- CFP/RP configuration without hardware modification.
- 6 LEDs on the front panel to indicate the status of the autopilot.
- New high-performance electronic components.
- Faster algorithm with more accurate steering control.
- Enhanced pilot problem diagnosis.
- Securing of the steering system.
- Improvement of the tacking algorithm.
- Improved MOB algorithm with gybe "heave to" logic and logic for use of all sensors regardless of the configuration preceding the new order.
- Suppression of the rudder stroke if the rudder angle sensor is no longer available.
- Wind tables are taken into account in the autopilot's calculations.
- Message on bus when none execution of initialisation is detected.
- In case of overload, the processor keeps steering. It limits the intensity to 25A for the duration of the overload. However, if this lasts longer than 10 minutes, the GyroPilot 3 stops steering.
- Linear rudder sensor management.
- Improved Tiller algorithm with speed feedback control.
- Polar mode.
- Heel angle mode.
- Gust mode.

6.2. **IMPROVEMENT OF GYROPILOT 3 VERSIONS**

6.2.1. **GyroPilot 3 v1.1 version**

The improvements compared to the GyroPilot 3 v1.0 version are as follows:

- Resolution of the problem on the management of autopilot instructions coming from different command pilot.

6.2.2. **GyroPilot 3 v1.2 version**

The improvements compared to the GyroPilot 3 v1.1 version are as follows:

- Added internal IMU control module
- Addition in memory of the duration of operation since the last change of estimated case orientation.
- Compatibility with CRP type actuator and DC type clutches
- Improved apparent wind mode and true wind mode
- Improved heel angle mode: no more variation of heel target with a principal mode instruction changes.

7. SPECIFICATIONS

7.1. TECHNICAL SPECIFICATIONS

Parameter	Value
Dimensions	210 x 150 x 72 mm / 8.26' x 5.90' x 2.83' (length x height x thickness)
Weight	650g, case only / 1.43 lbs 3.2 kg / 7.04 lbs with cable (3 x 6m)
Power supply	9V – 32V DC
Power consumption at 12 volts	<100mA without hydraulic ram in Auto
Waterproofing	Protection rate: IP 67
Power cable	Gyro3 Power Input cable (90-60-553) length 6m / 20ft

7.2. DEFAULT VALUES

Parameter	Default value
Steering mode	Compass
SUPER mode	OFF
Gain	3
Rudder coef.	12
Counter rudder	3
Wind smoothing	3
Tacking angle	100°
Tacking speed	12° / second
Shut-off delay	20 seconds
Dead angle	1.0°
Rudder offset	0°

Speed reference	Surface speed
Man over board	Crew mode
Upwind/downwind limit	90°
Heel angle gain	1
Wind limit heel angle mode	5°
Leeward limit heel mode	3
Gust gain	1
Gust limit	10°
Gust filtering	100 seconds
Heading/Wind alarm	OFF
Battery alarm	10 Volts DC

8. LIABILITY

NKE MARINE ELECTRONICS liability can only be engaged if there is proof of its responsibility in the event of a fault. With regard to the supply prototypes or pilot products, the customer acknowledges that NKE is only bound by a simple obligation of means; that the risk of malfunctions of these products is inherent in their nature, and that NKE can, therefore, not be held liable in this respect.

NKE MARINE's liability is in any case expressly excluded in the event of (1) force majeure, (2) fault, negligence, violation or failure by the customer to fulfil their own legal, regulatory or contractual obligations resulting from the application of the general conditions of sale and (3) in the case of use of the products for purposes other than those for which the product is intended or due to storage or use that does not comply with the instructions and recommendations for use.

NKE MARINE can under no circumstances be held liable for compensation related to indirect and/or immaterial damage incurred by the customer or the latter's customers, such as turnover, margin, or customer loss, and harm to image, nor in the event of non-attainment of the return on investment expected or anticipated by the customer or the latter's customers, as a result of the use of the products.

In all cases, should NKE MARINE be held liable, the maximum amount of compensation due by NKE, all sums combined, cannot exceed the lowest of the following amounts: (1) twice the amount of the related order before tax, (2) €15,000 (fifteen thousand euros).